

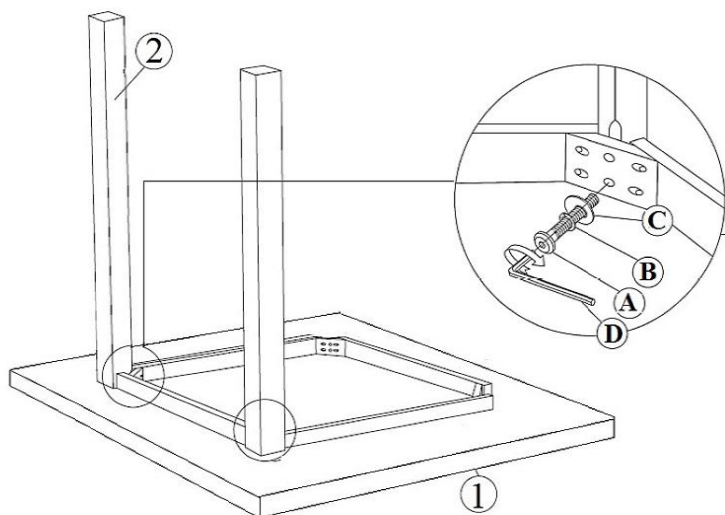
IMPORTANT NOTE :

- Place all wooden parts on a clean and smooth surface such as a rug or carpet to avoid the parts from being scratched.
- Check to be sure that you have all parts and hardware.
- Remove all wrapping materials, including staples & packing straps before you start to assemble.
- Do not tighten all screws/bolts until all completely assembled.
- Keep all hardware parts out of reach of children.

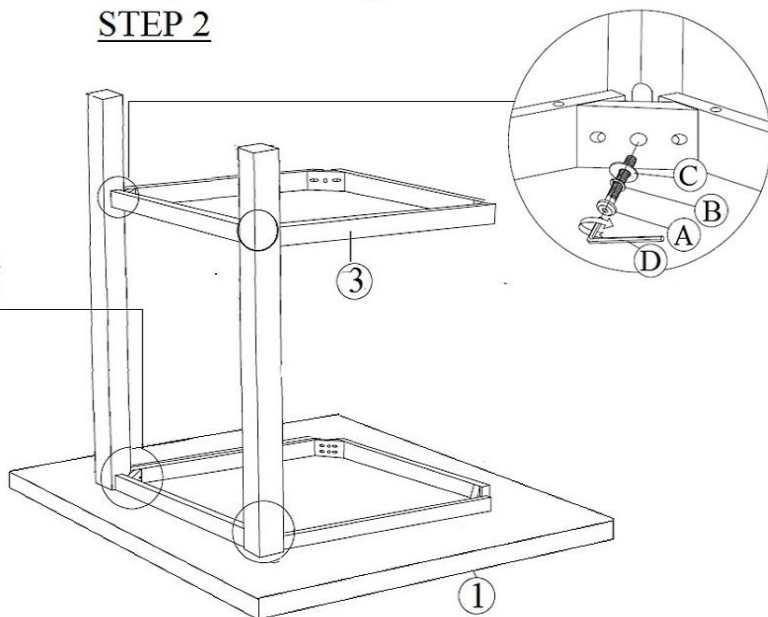
PARTS LIST		
NO.	DESCRIPTION	QTY.
1	TABLE TOP WITH APRON	1 PC
2	TABLE LEG	4 PCS
3	SHELF	2 PCS

HARDWARE LIST		
NO.	DESCRIPTION	QTY.
A	JCBB SCREW M6 x 60 MM 	12PCS
B	SPRING WASHER Ø 5/16" 	12PCS
C	FLAT WASHER Ø 5/16" 	12PCS
D	ALLEN KEY M5 	1 PC

STEP 1



STEP 2



STEP 3

